

# Inspektion Cover DN 500

Fremdüberwachung  
Third Party Certification

Qualitätsmanagement  
Quality Assurance

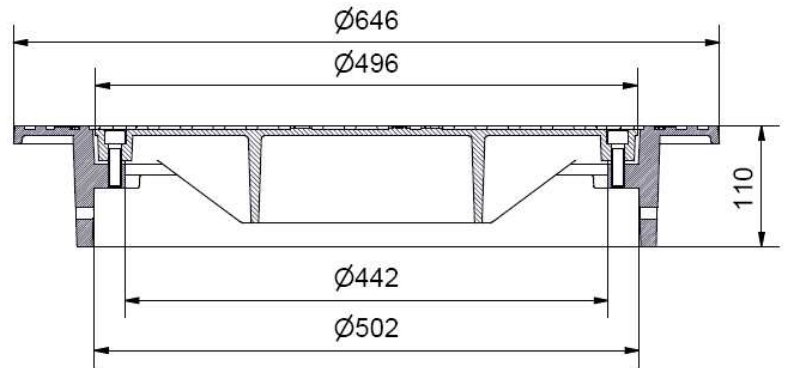
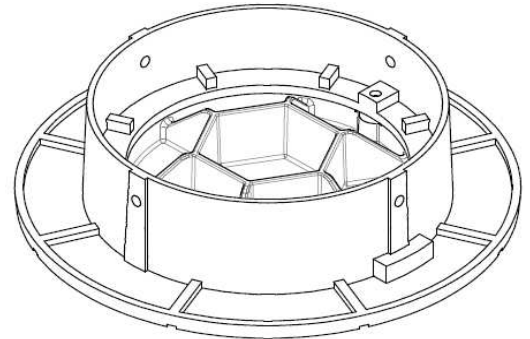


ISO 9001-2000

Norm  
Standard  
**DIN  
EN124**



Klasse  
Class  
**D400**

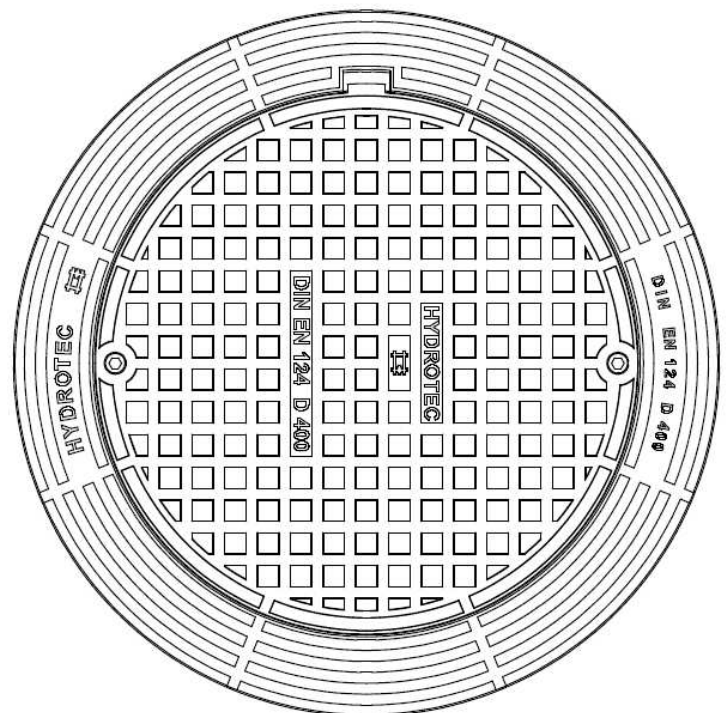


## Inspection Cover for Pipes DN 500

- pipe DN 500 fit inside the frame
- 4 holes (Ø 11,5mm) in the frame to fix the pipe with the frame (M 10 screws)

## Locking

- cover locked by means of 2 stainless steel bolts (12 mm)



Änderungen vorbehalten! / subject to alterations in measurement and design!

Referenz  
Reference  
**894 553**

Klasse  
Class  
**D 400**

Material  
Material  
**EN-GJS-500-7**

Gewicht  
Weight  
**ca. 42 kg**

SA-0553

HYDROTEC Technologies · Döngstruper Straße 46 · D-27793 Wildeshausen · Germany  
Telefon: (+49) 04431 / 9355-0 · Telefax: (+49) 04431 / 9355-99  
Internet: www.hydrotec.com · eMail: info@hydrotec.com

Schutzvermerk nach DIN 34 beachten!