

Inspektion Cover DN 315

Fremdüberwachung
Third Party Certification



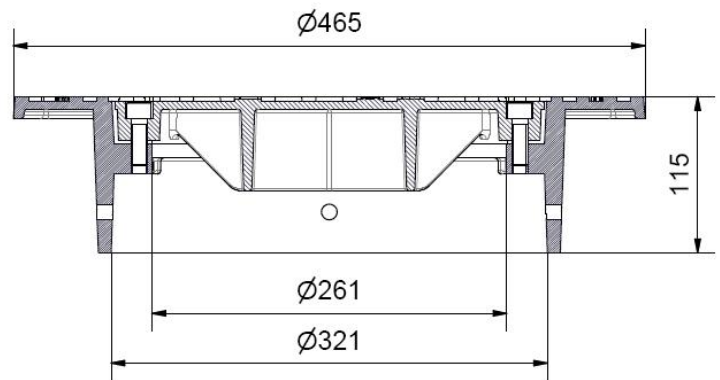
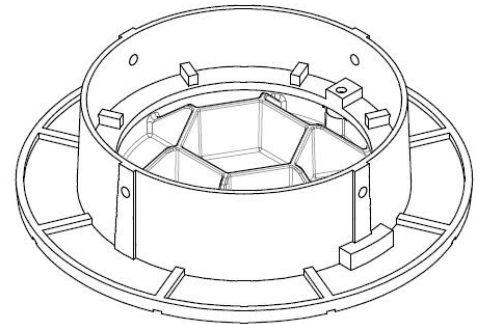
Qualitätsmanagement
Quality Assurance

ISO 9001-2000

Norm
Standard
**DIN
EN124**



Klasse
Class
D400

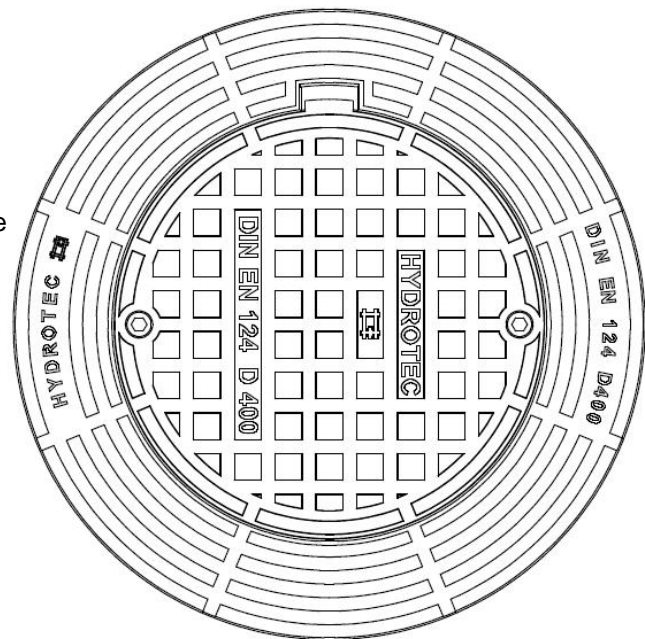


Inspection Cover for Pipes DN 315

- pipe DN 315 fit inside the frame
- 4 holes (Ø 11,5mm) in the frame to fix the pipe with the frame (M 10 screws)

Locking

- cover locked by means of 2 stainless steel bolts (12 mm)



Änderungen vorbehalten! / subject to alterations in measurement and design!

Referenz
Reference
894 536

Klasse
Class
D 400

Material
Material
EN-GJS-500-7

Gewicht
Weight
ca. 30 kg

SA-0538

HYDROTEC Technologies · Düngrstruper Straße 46 · D-27793 Wildeshausen · Germany
Telefon: (+49) 04431 / 9355-0 · Telefax: (+49) 04431 / 9355-99
Internet: www.hydrotec.com · eMail: info@hydrotec.com

Schutzvermerk nach DIN 34 beachten!